

BLT MANUAL

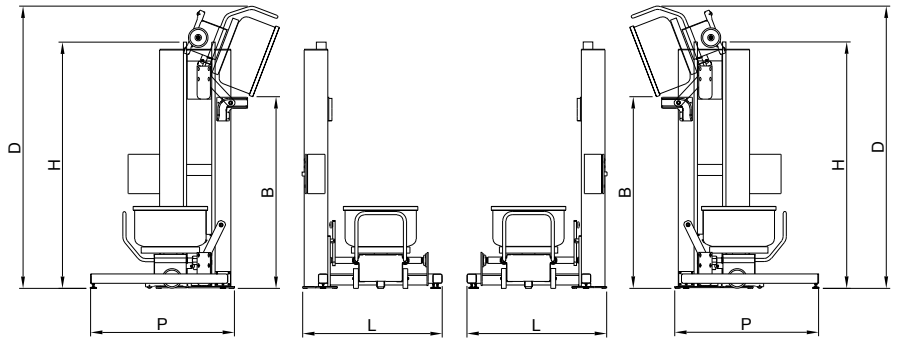
BOWLS LIFTER/DUMPER WITH FRONTAL OR LATERAL DISCHARGE SYSTEM



BLT F (Frontal)

DISCHARGING HEIGHT

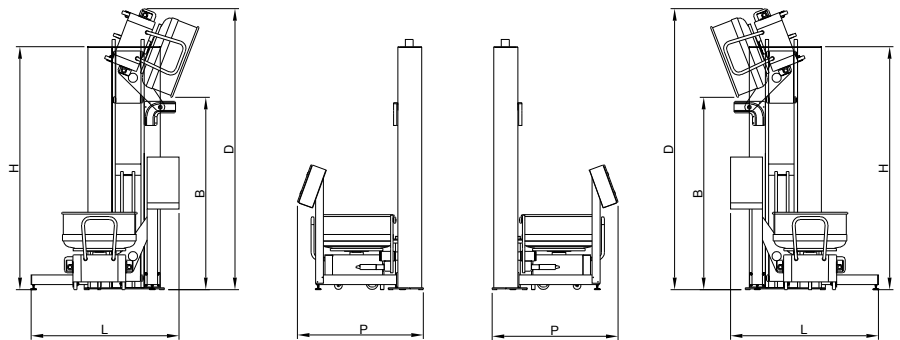
- 180
- 240
- 300
- 350



BLT L (Lateral)

DISCHARGING HEIGHT

- 120
- 180
- 240
- 300
- 350



BLT F - BLT L

BOWLS LIFTER/DUMPER WITH FRONTAL OR LATERAL DISCHARGE SYSTEM

TECHNICAL FEATURES

TECHNICAL DATA BLT F

MODEL		BLT 180 F	BLT 240 F	BLT 300 F	BLT 350 F
Motor power (C/130-300)	kw	1.1	1.1	1.1	1.1
Current drawn V. 230 (C/130-300)	A	4.8	4.8	4.8	4.8
Current drawn V. 400 (C/130-300)	A	2.8	2.8	2.8	2.8
Height from bowl edge (bowl/trolley during discharging phase)	B mm	1800	2400	3000	3500
Total height (bowl/trolley during discharging phase) (C/130)	D mm	2900	3500	4100	4600
Total height (bowl/trolley during discharging phase) (C/160-200)	D mm	3000	3600	4200	4700
Total height (bowl/trolley during discharging phase) (C/250)	D mm	3060	3660	4260	4760
Total height (bowl/trolley during discharging phase) (C/300)	D mm	3200	3800	4400	4900
Total height	H mm	2520	3120	3720	4220
Total width (C/130-250)	L mm	1450	1450	1450	1450
Total width (C/300)	L mm	1600	1600	1600	1600
Depth (C/130-250)	P mm	1670	1670	1670	1670
Depth (C/300)	P mm	1850	1850	1850	1850
Net weight	kg	780	900	980	1120

TECHNICAL DATA BLT L

MODEL		BLT 120 L	BLT 180 L	BLT 240 L	BLT 300 L	BLT 350 L
Motor power (C/130-300)	kw	1.1	1.1	1.1	1.1	1.1
Current drawn V. 230 (C/130-300)	A	4.8	4.8	4.8	4.8	4.8
Current drawn V. 400 (C/130-300)	A	2.8	2.8	2.8	2.8	2.8
Height from bowl edge (bowl/trolley during discharging phase)	B mm	1300	1800	2400	3000	3500
Total height (bowl/trolley during discharging phase) (C/130)	D mm	2360	2860	3460	4060	4560
Total height (bowl/trolley during discharging phase) (C/160-200)	D mm	2450	2950	3550	4150	4660
Total height (bowl/trolley during discharging phase) (C/250)	D mm	2510	3010	3610	4210	4710
Total height (bowl/trolley during discharging phase) (C/300)	D mm	2600	3100	3700	4300	4800
Total height	H mm	2020	2520	3120	3720	4220
Total width (C/130-250)	L mm	1670	1670	1670	1670	1670
Total width (C/300)	L mm	1850	1850	1850	1850	1850
Depth (C/130-250)	P mm	1570	1570	1570	1570	1570
Depth (C/300)	P mm	1900	1900	1900	1900	1900
Net weight	kg	730	780	900	980	1090

All data are to be considered as nominal, MIXER srl reserves the right to make any changes to the product and/or technical specifications without notice.

STANDARD FEATURES

- Lifter/dumper with a single column and an hydraulic system.
- Painted steel structure.

MODELS:

- FD: frontal dumping with lifting column and commands on the right.
- FS: frontal dumping with lifting column and commands on the left.
- LD: lateral dumping on the right with lifting column and commands on the right.
- LS: lateral dumping on the left with lifting column and commands on the left.

MANUAL COMMANDS AND PROTECTION:

Electric controls with hold-to-run buttons.

Note for LATERAL lifters: each removable trolley of Professional Line requires the optional "couple of connections.

ON REQUEST

- Stainless steel structure
- Special connections for trolleys not produced by our company (only after technical approval).
- Intermediate discharge.
- Discharging chute L = 400 mm.

Note: For bowl-trolley connections which are not produced by our company

To produce this optional equipment, the bowl to be dumped must be made available to our premises for at least one week. This will allow us to perform the necessary activities and guarantee its correct operation. Only after technical dept. approval.